

# UHF LONG RANGE INTEGRATED READER

**PART NUMBER**  
MR61xx

**TO ORDER, CONTACT:**  
 Telemetria Satelital  
 telemetriasatelital.com.mx/contacto  
 ventas@dsicorporativo.com  
 Telemetria Satelital +52 (999) 968 4272

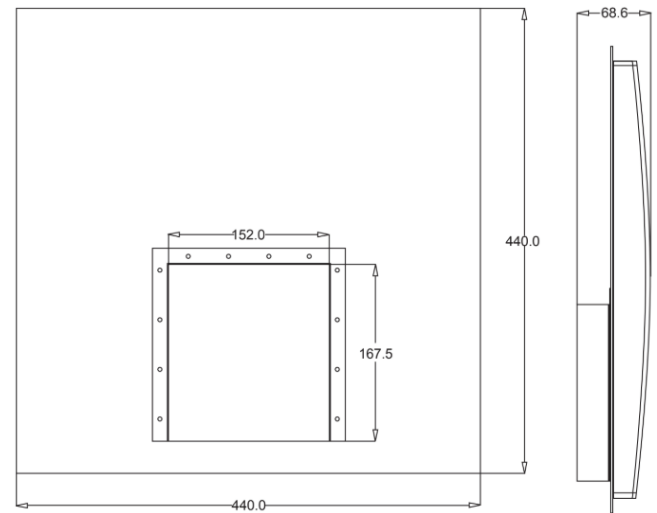
MR61xx UHF RFID reader base on new generation reader technology platform development, combine UHF RFID advanced technology and many years reader application base experience. This reader is more stable and can use in various applications.



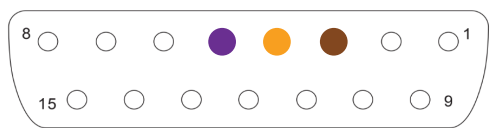
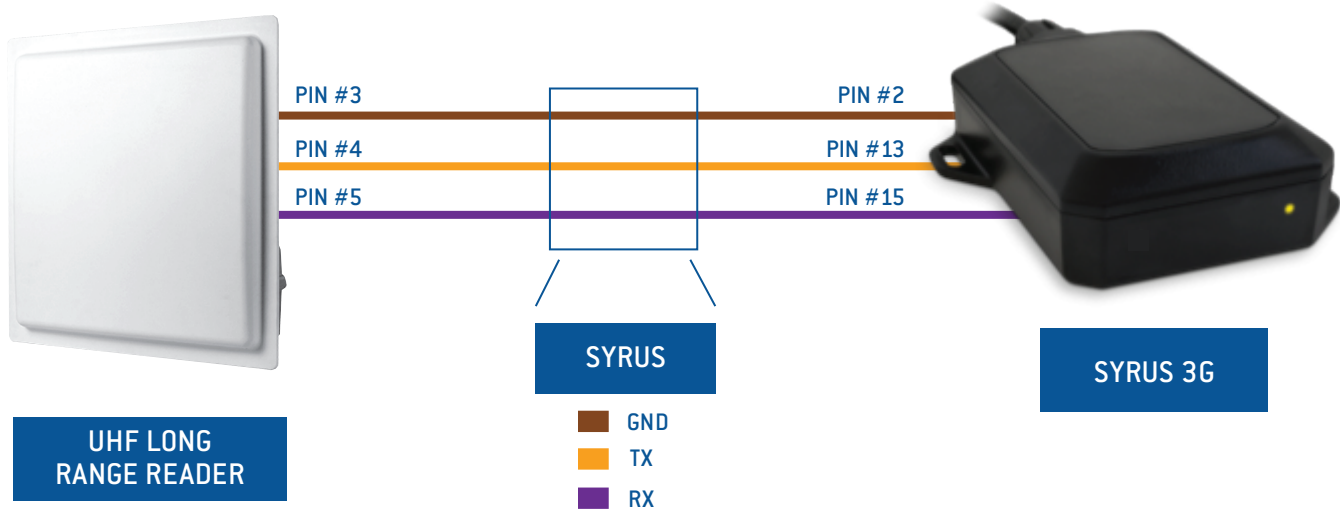
## TECHNICAL SPECIFICATIONS

ITEM	PARAMETER
Frequency	US(902~928MHz) China(920~925MHz) EU(865~867MHz), other frequency selectable
Protocol	ISO18000-6B/6C,EPC G2
RF Power	0~31dBm adjustable
Sensitivity	-80dBm(12dBi antenna more than 12 m)
Read Speed	Multi tag-200pcs/second Single tag 2000 times/minute
Processor	ARM CORTEX M3 100M CPU
Memory	16KB tag data memory 32KB ferroelectric memory
Data Interface	100M Ethernet interface RS232/RS485 interface wiegand 26/34 One team input and one team output(TTL) One team Relay
Power Supply	DC+9V~+15V
Working Temp	-20~60°C

## DEVICE DIMENSIONS



# WIRING DIAGRAM & INSTALLATION



MR61xx Pin Diagram

PIN NUMBER	PIN FUNCTION
3	Signal ground
4	RX(RS232)
5	TX(RS232)



Syrus Pin Wiring

PIN NUMBER	PIN FUNCTION	CABLE COLOR
2	Signal ground	Brown
13	TX(RS232)	Orange
15	RX(RS232)	Purple

## PEGASUS CONFIGURATION

Syrus UHF Standard



COMMANDS	
Enable PRO12RF (MR61xx) >SRIM2<	Clear last RFID read >SRIC<
Authorize an RFID >SRIA19173270884452<	Remove RFID from authorize list >SRID19173270884452<
Query all RFIDs authorized >QRI&lt;	Query if RFID is authorized >QRIS19173270884452< *responds 1 if authorized, 0 if not
Query last RFID read >QRIL<	

\* For more information on the latest stable firmware versions, please visit our support website at [support.digitalcomtech.com](http://support.digitalcomtech.com)