

SOLAR POWERED ASSET TRACKER

PART NUMBER
SPA4G-1204-16

The solar powered asset tracker features a 10A battery capable of being charged via direct sunlight for long lasting deployments. It also comes with several key alerts such as tamper, vibration, and low battery. Its rugged casing and IP67 rating protect it from any dust and up to 1m immersion in water, making it ideal for outdoor use. The device can be active for up to 3 weeks without solar light and its battery charged at 100%.



GPS/BDS/Wifi/LBS

Tamper Evident: Includes vibration alert

Rechargeable battery for long periods of self-powered operation

Solar Powered: Integrated solar panel recharges the unit

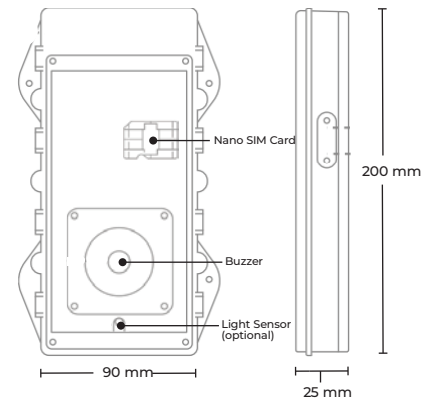
Global 4G Connectivity: Wireless connectivity without boundaries

Waterproof: Ruggedized IP67 polycarbonate sealed enclosure

TECHNICAL SPECIFICATIONS

SPECIFICATIONS	
GNSS accuracy	< 2.5m CEP / -165dBm
Weight	480g (excluding base)
Dimensions (LxWxH)	200x90x25mm (excluding mounting holes)
Operating current	120mA
Battery	Rechargeable Li-Polymer 10000 mAh/ 3.7V
Charging & Data Communication	Magnetic USB cable
Solar Panel	For charging the tracker battery
Waterproof	IP67
Operating Temperature	-25°C +70°C (-13°F 158°F)
4G Cat1 with 2G Fallback	(4G) LTE-FDD: B1/B2/B3/B4/B5/B7/B8/B20/B28/B40 (2G) GSM: B2/B3/B5/B8

PHYSICAL



LEDs		
LED STATUS	GREEN (CELLULAR)	RED (POWER/WORK STATUS)
Fast blink	Network initializing	Low battery
Slow blink	Device is in a call/online	Device working properly/ Charging complete
0.3s-3s (on-off)		
Solid on	No SIM card/SIM card error	Charging via cable
Slow blink	Unable to connect to platform	Charing via solar power
0.3s-5s (on-off)		
Off	Battery is under voltage or encounters an internal failure	

POWER	
Battery	10,000 mAh/3.7V Industrial Grade Li-Polymer Battery
Solar Power	5V/390mA (Standard Operating Voltage/Current @STC) STC: Direct illumination with 38,000lux lamp on test bench
Magnetic Charger	5V/2,000mA
Working Modes	Mode 1: Regular GPS mode Mode 2: Tracking mode Mode 3: Power-saving mode
Standby Time	Up to 2 years in power-saving mode