

AUDIO KIT

PART NUMBER
70011/70012

DCT hands free device is specially designed to be wired directly to the Syrus GPS tracking device harness cable and enables the fleet management control center to listen inside vehicle cabin knowing exactly what is happening automatically after any event has been programmed to trigger the microphone.

Full duplex voice connectivity via microphone and speaker.

Auto-answering mode.

Auto dialing mode.



Silent monitoring.

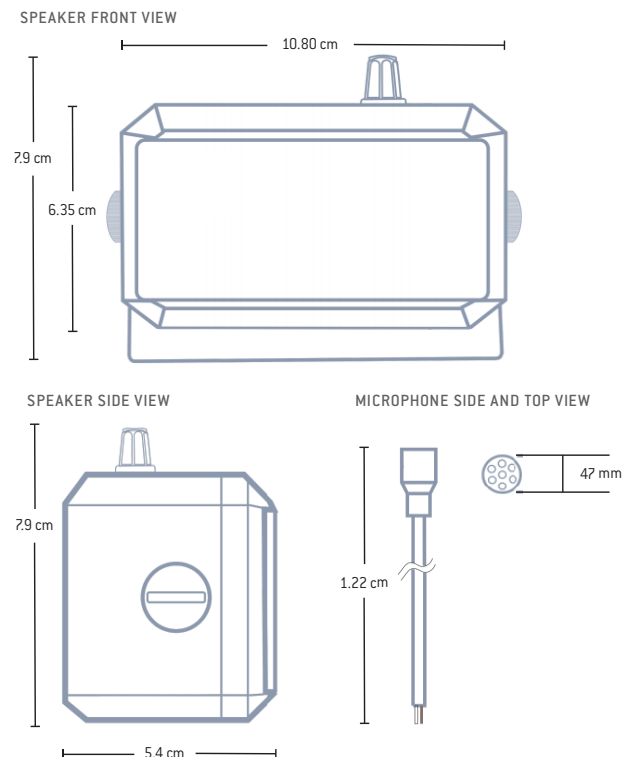
Configure volume and speaker gain.

Receive calls from only authorized or any number.

TECHNICAL SPECIFICATIONS

ITEM	PARAMETER
M I C R O P H O N E	
Element	Back Electret Condenser
Polar Pattern	Omni--Directional
Frequency Response	20Hz--20KHz
Sensitivity	-44dB±3dB
Output impedance	1000Ω±30% (at 1KHz)
Max.Input SPL	130dB [at 1KHz≤1%T.H.D]
Dimension (mm)	φ5mm
S P E A K E R	
Power input	12VDC - Standard power: 5W--7W
Output	8Ω
Magnetic type	External Magnetic Φ45*9mm
Cable	Φ=3.5mm, L=1.83m [72 in]
Rated impedance	8Ω±15% 50 MA/1K Hz/0.56 V
Limit resonance	freq. 300±20% Hz Monomer horn
Rated features sensitivity levels	89±3 dB AT 1W/0.5M/2 V
Rated frequency range	F0--20KHz OUTPUT S.P.L.±10dB
Rated output power	5W
Maximum output power	7W
Distortion rate	5% MAX Rated power input 1KHZ

DEVICE DIMENSIONS



PINOUT

COLOR	CABLE	DESCRIPTION
S P E A K E R P I N O U T		
■ RED	VIN (IN)	Main Power: 12 Volts - 32 Volts.
□ WHITE	GROUND (GND)	Connect directly to Syrus ground cable from harness (Brown cable on Syrus 3, and black cable on Syrus 2).
■ BLUE	AUDIO (OUT)	Audio output, connect to Syrus yellow/white cable.
■ COPPER	AUDIO (GND)	Connect directly to Syrus ground cable from harness (Brown cable on Syrus 3, or black/white cable on Syrus 2).
M I C R O P H O N E P I N O U T		
□ WHITE	AUDIO IN	Connect directly to Syrus gray cable from harness.
■ COPPER	AUDIO GND	Connect directly to Syrus ground cable from harness (Brown cable on Syrus 3, or black/white cable on Syrus 2).

FAQ

QUESTION	ANSWER
How can I activate the auto dialing and monitoring mode?	These features depend on the script configuration of the Syrus device, all Syrus devices are capable of these features, please contact support for more information.